



GROUP OP – P3000 SERIES

PERFORMANCE DATA

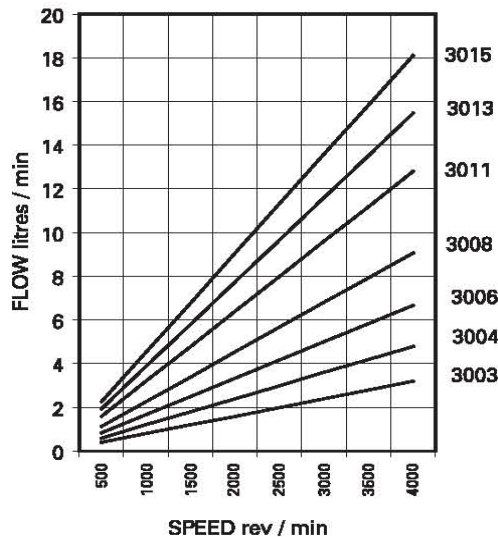
Pressures quoted are relief valve maximum by-pass
Performance with SAE 20W oil at 50° C

PUMP TYPE	DISPLACEMENT cc/rev	DELIVERY @1500 RPM & PRESSURE P		MAXIMUM CONTINOUS PRESSURE P		SPEED AT MAXIMUM CONTINOUS PRESSURE P	
		MIN lpm	MAX lpm	psi	bar	MAX	MIN
3003	1.27	1.0	1.9	3000	207	4000	700
3004	1.67	1.6	2.5	3000	207	4000	700
3006	2.2	2.3	3.3	3000	207	4000	700
3008	2.87	3.2	4.3	3000	207	4000	700
3011	3.8	4.5	5.7	3000	207	4000	700
3013	4.47	5.5	6.7	3000	207	4000	700
3015	5.13	6.4	7.7	3000	207	4000	700

TYPICAL PERFORMANCE

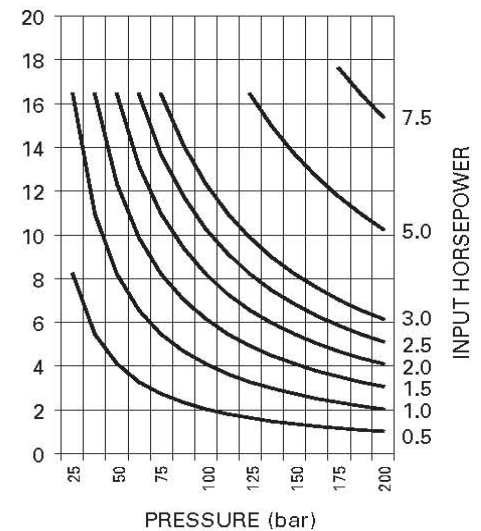
TYPICAL PUMP DELIVERY

Flow at Max. Pressure.

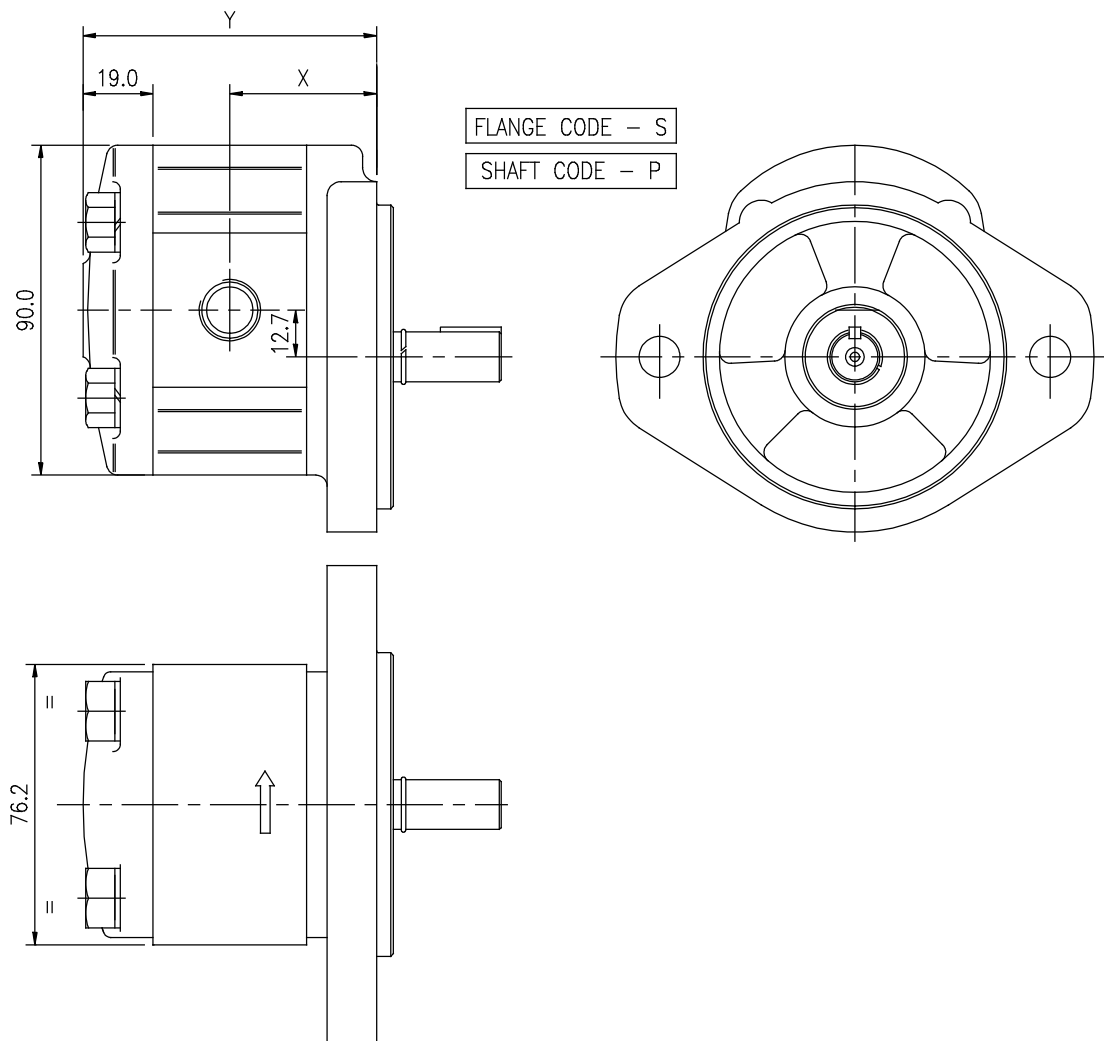


TYPICAL INPUT HORSEPOWER

Fluid SAE 20W
Fluid Temperature 50° C



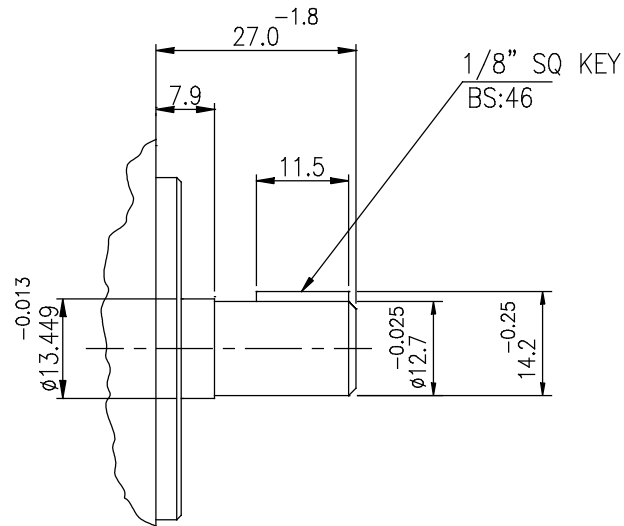
INSTALLATION DIMENSIONS – OP SERIES



PUMP TYPE.	DIMENSIONS	
	X	Y
OP-3003	38.1	76.3
OP-3004	38.6	77.1
OP-3006	39.1	78.2
OP-3008	39.9	79.7
OP-3011	40.9	81.7
OP-3013	41.5	83.1
OP-3015	42.3	84.5
OP-3019	43.4	86.9
OP-3025	45.3	90.7

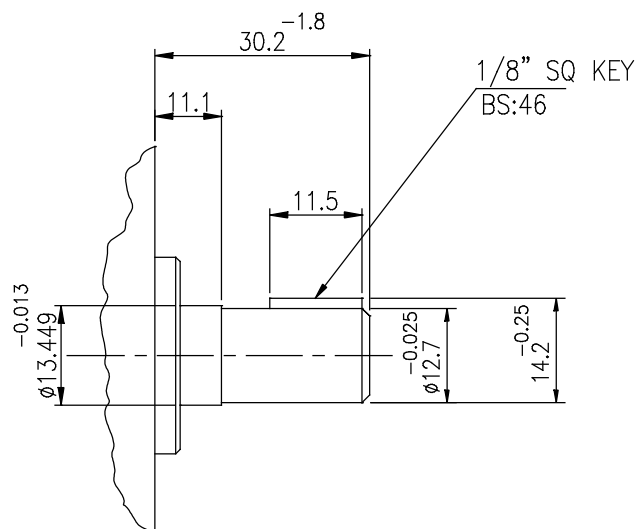
DRIVE SHAFT CODE - L

FLANGE CODE - S

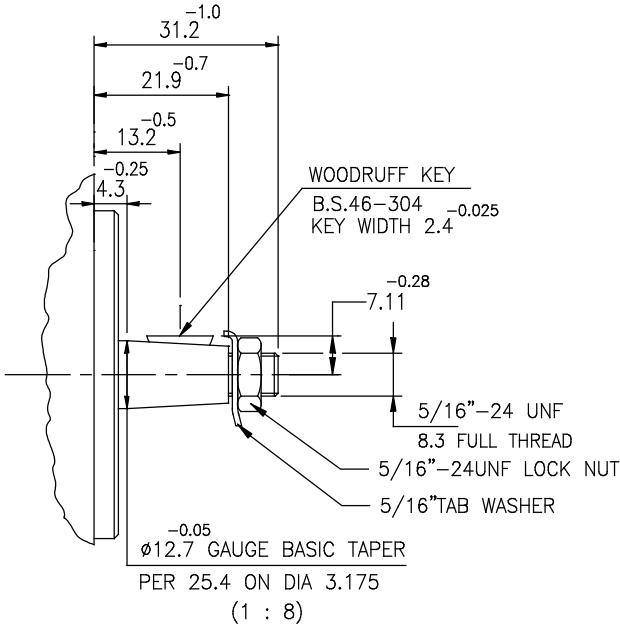


DRIVE SHAFT CODE - L

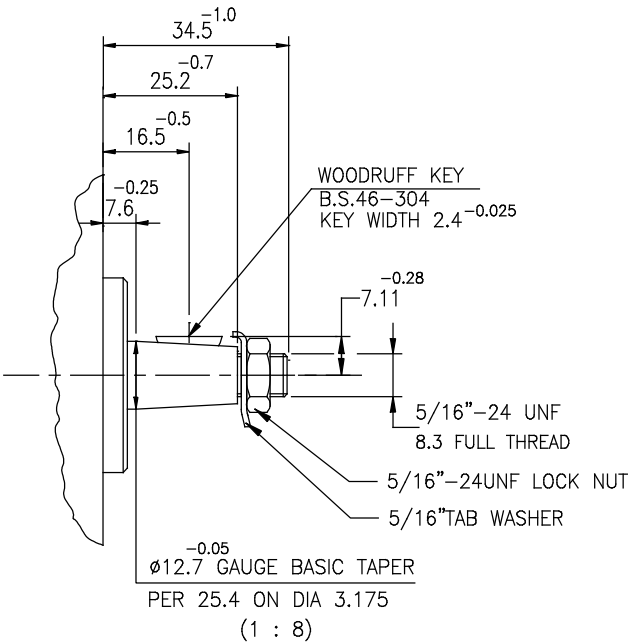
FLANGE CODE - D



DRIVE SHAFT CODE - T
FLANGE CODE - S



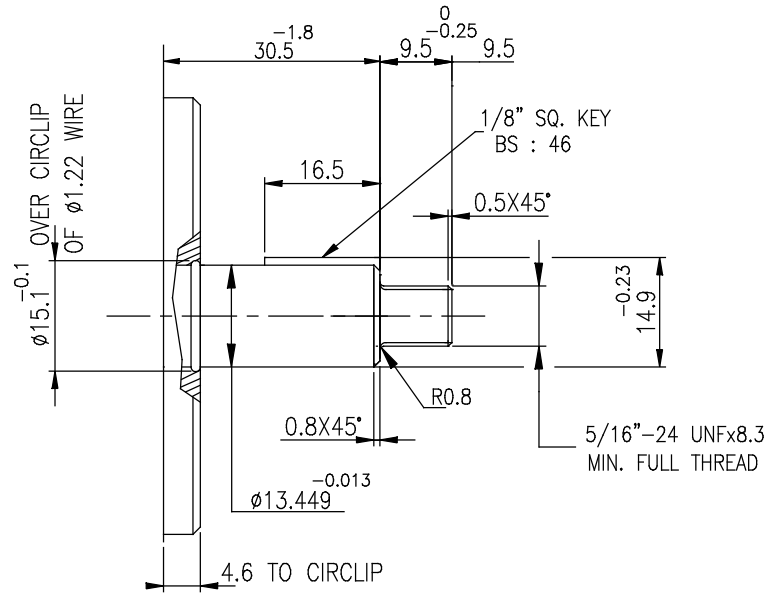
DRIVE SHAFT CODE - T
FLANGE CODE - D



ALL DIMENSIONS ARE IN MM UNLESS OTHERWISE SPECIFIED.

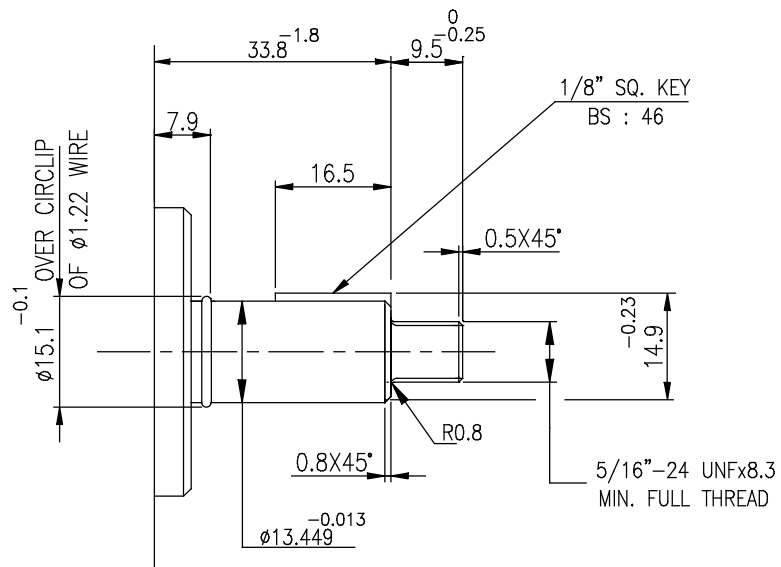
DRIVE SHAFT CODE - U

FLANGE CODE - S

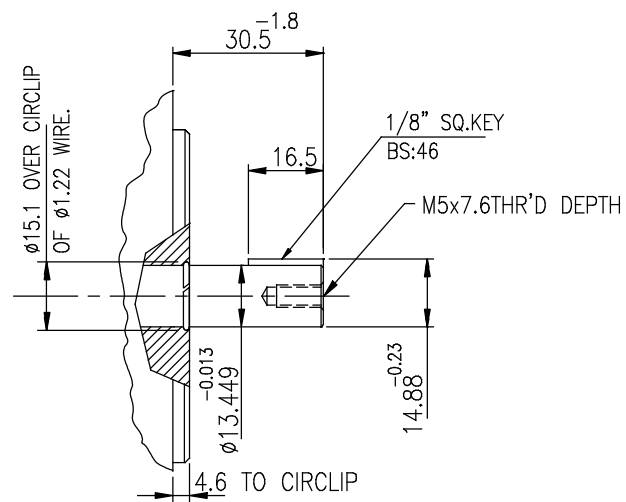


DRIVE SHAFT CODE - U

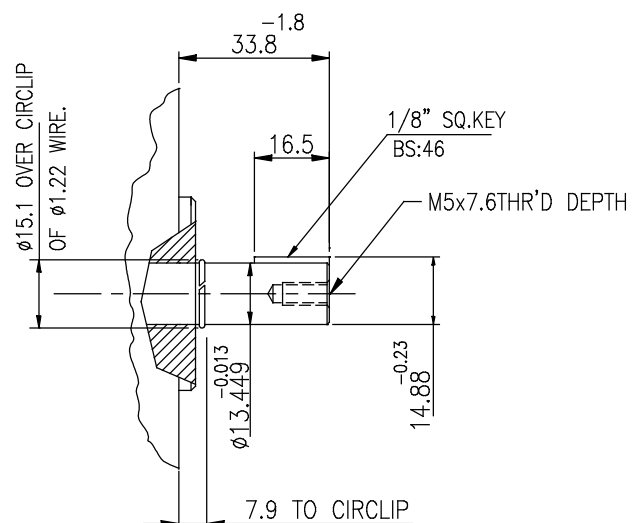
FLANGE CODE - D



DRIVE SHAFT CODE - P
 FLANGE CODE - S

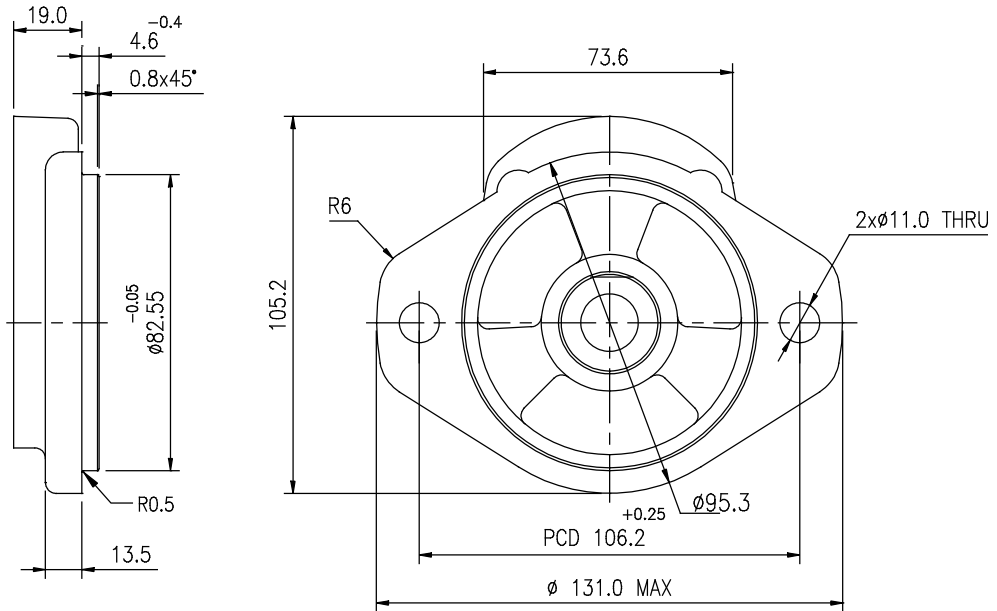


DRIVE SHAFT CODE - P
 FLANGE CODE - D

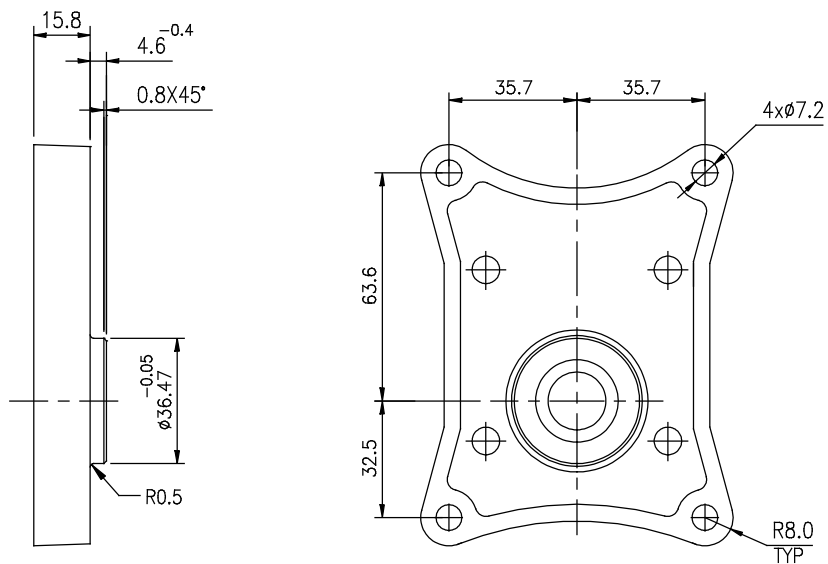


ALL DIMENSIONS ARE IN MM UNLESS OTHERWISE SPECIFIED.

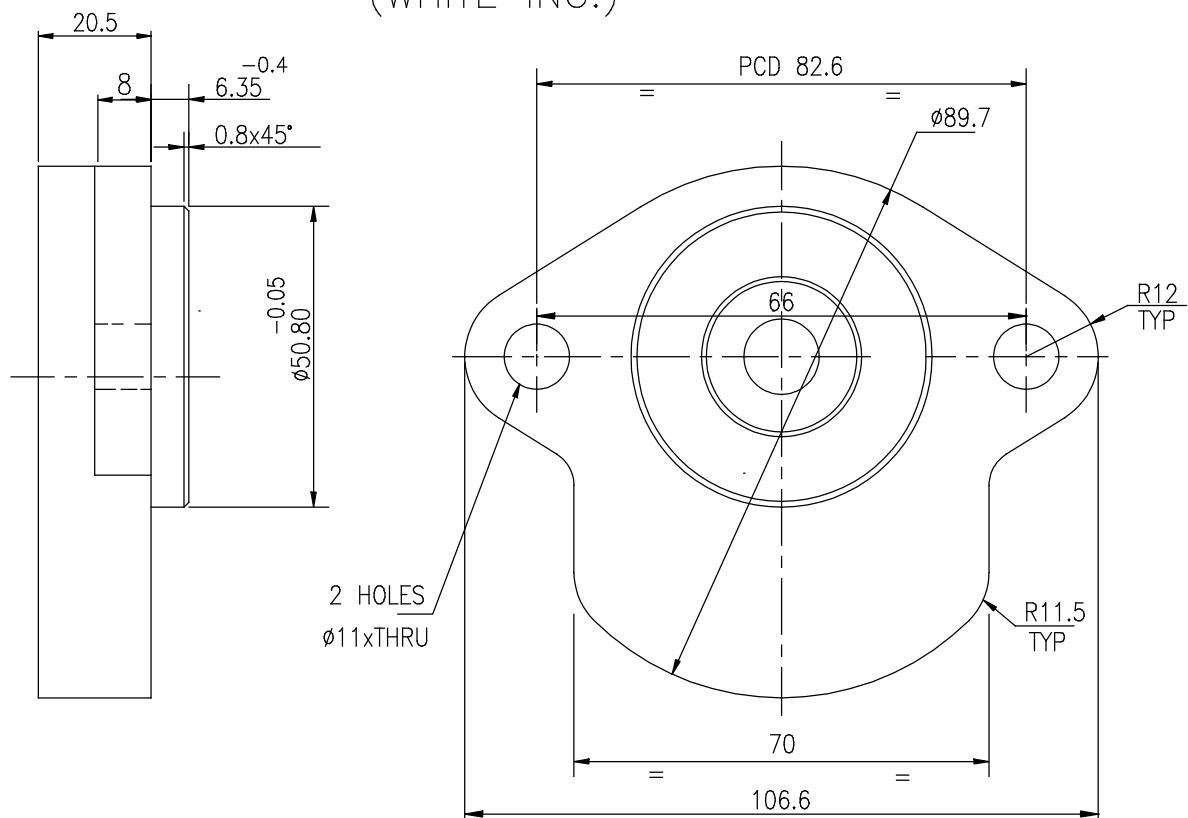
MOUNTING FLANGE CODE - S



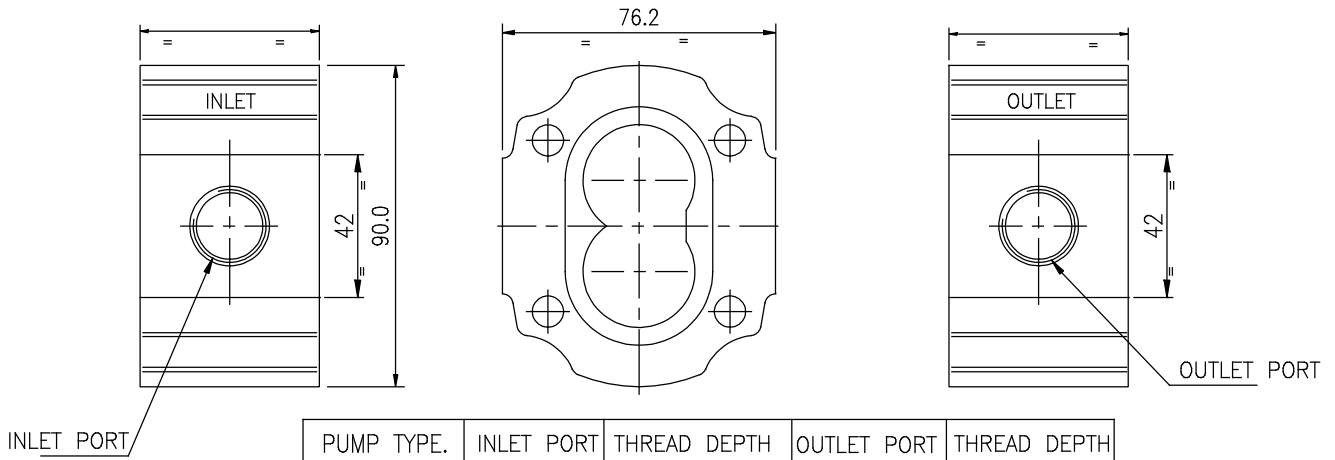
MOUNTING FLANGE CODE - D



MOUNTING FLANGE CODE - W
(WHITE INC.)

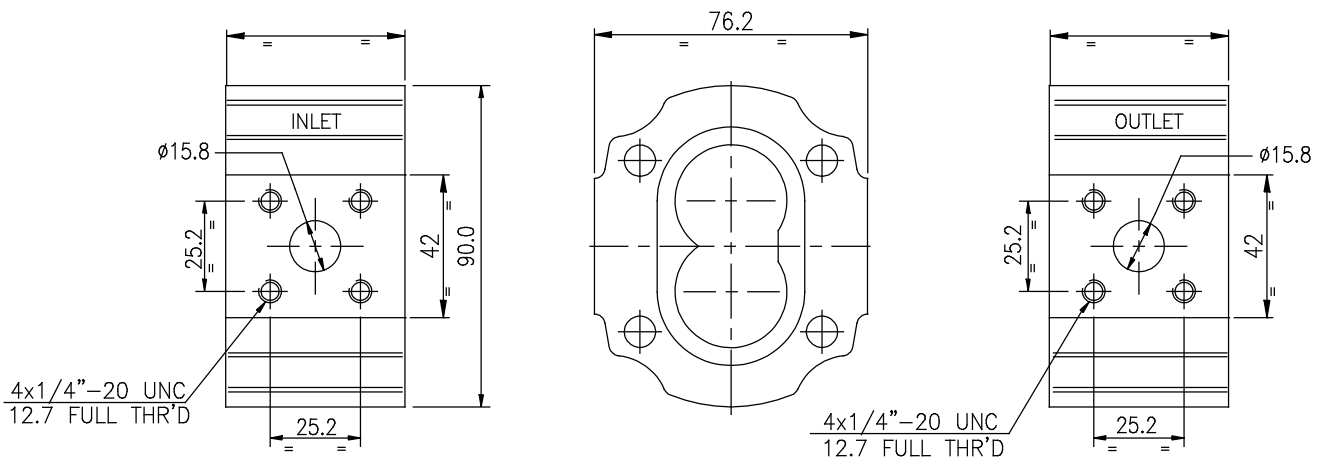


BODY PORT CODE – T



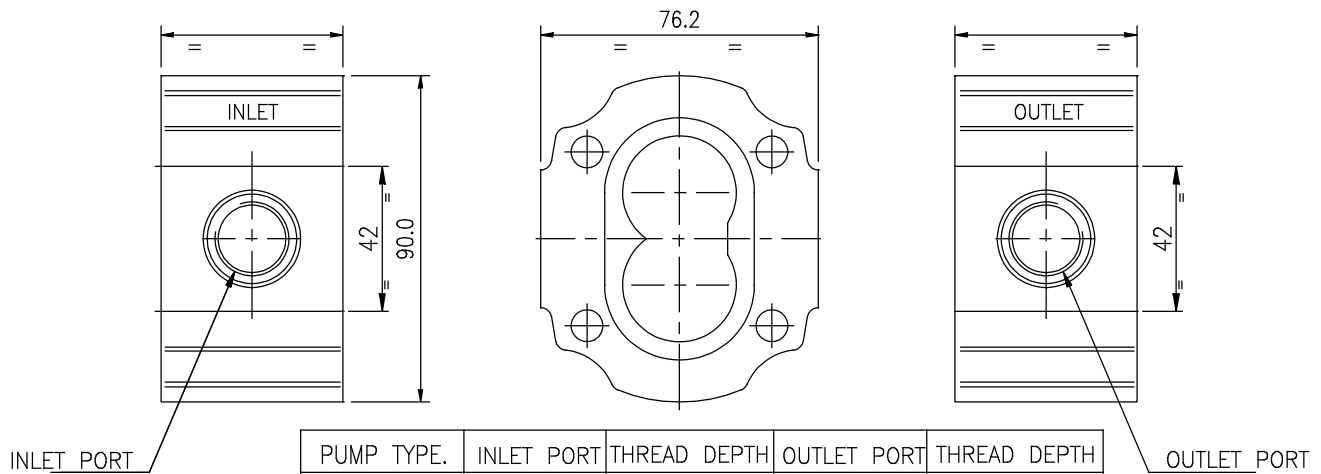
PUMP TYPE.	INLET PORT	THREAD DEPTH	OUTLET PORT	THREAD DEPTH
OP-3003	3/8" BSPF	11.4	3/8" BSPF	11.4
OP-3004	3/8" BSPF	11.4	3/8" BSPF	11.4
OP-3006	3/8" BSPF	11.4	3/8" BSPF	11.4
OP-3008	3/8" BSPF	11.4	3/8" BSPF	11.4
OP-3011	3/8" BSPF	11.4	3/8" BSPF	11.4
OP-3013	1/2" BSPF	14	1/2" BSPF	14
OP-3015	1/2" BSPF	14	1/2" BSPF	14
OP-3019	1/2" BSPF	14	1/2" BSPF	14
OP-3025	1/2" BSPF	14	1/2" BSPF	14

BODY PORT CODE – F



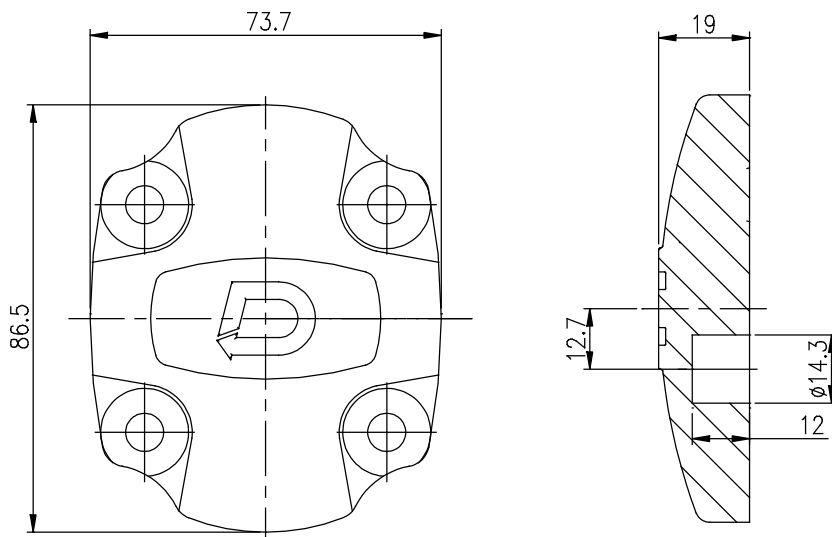
ALL DIMENSIONS ARE IN MM UNLESS OTHERWISE SPECIFIED.

BODY PORT CODE - J
 SAE O-RING THREADED PORTS (SAE:J1926/1)

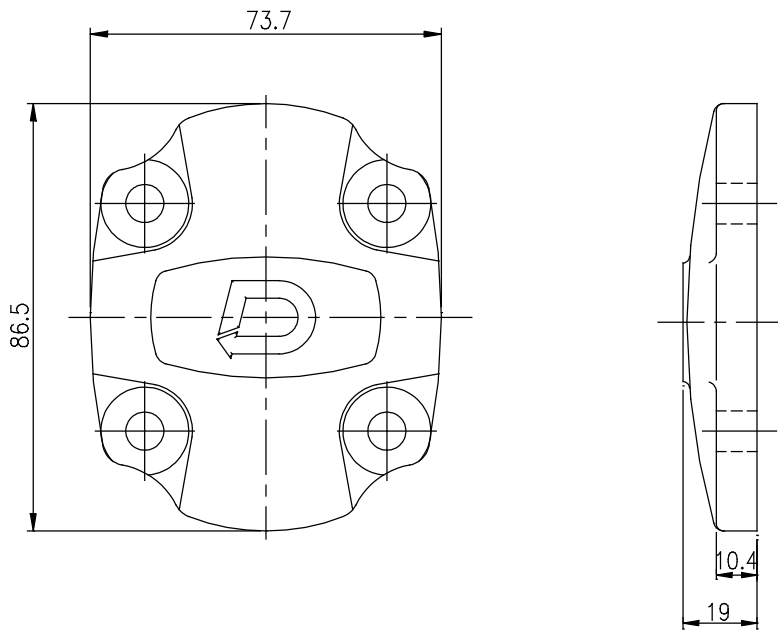


PUMP TYPE.	INLET PORT	THREAD DEPTH	OUTLET PORT	THREAD DEPTH
OP-3003	3/4"-16UN	14.2	3/4"-16UN	14.2
OP-3004	3/4"-16UN	14.2	3/4"-16UN	14.2
OP-3006	3/4"-16UN	14.2	3/4"-16UN	14.2
OP-3008	3/4"-16UN	14.2	3/4"-16UN	14.2
OP-3011	3/4"-16UN	14.2	3/4"-16UN	14.2
OP-3013	3/4"-16UN	14.2	3/4"-16UN	14.2
OP-3015	7/8"-14UN	16.5	3/4"-16UN	14.2
OP-3019	7/8"-14UN	16.5	3/4"-16UN	14.2
OP-3025	7/8"-14UN	16.5	3/4"-16UN	14.2

MOUNTING COVER CODE - A



MOUNTING COVER CODE - B



COVER WITH RELIEF VALVE CODE - R

